

多币值硬币识别器使用说明书

(适用于 S315CPU 机型)

1 产品特点

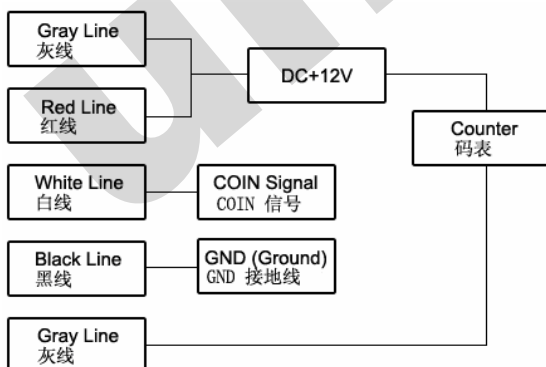
- 1.1 用单片机 CPU 自动识别硬币的材料、直径及厚度。
- 1.2 学习型。可同时设定 3 种不同的币值组,每组可设定 15 个硬币。
- 1.3 可随时调整识别器的精准度,适合不同场所的需要。
- 1.4 具备软件监视系统,钓鱼停机并有警铃装置,安全可靠。
- 1.5 可接码表方便寄台。
- 1.6 适用硬币币种:人民币、港币、澳币、美元、欧元、英镑、加币、泰币、菲律宾币等各种外币。
- 1.7 可按需要提供数字足输出及修改输出功能。

2 产品设定说明

- 2.1 先将灵敏度开关拨到"正常"处("精准"处),再将设定开关拨至"设定"处,LED 显示"00"(显示"P2")。
- 2.2 依次按币值调整开关使 LED 显示您所需要的数值。
- 2.3 依次投入要设定的硬币,最多可设定 15 个硬币(未滿 15 个,以后可随时添加储存)。
- 2.4 完成后若需设定另一种币值的钱币,再重新执行第 2 和第 3 步骤,若要退出,将设定开关拨至"开始"处,即可使用。
- 2.5 当要取消使用已设定好的所有钱币时,执行第 1 步骤后,LED 显示"00",按住币值调整开关不放,2 秒后听到"啵"一声且 LED 显示"C"即可。
- 2.6 如果要取消使用忆设定好的某一种数值硬币时,执行第 1 和第 2 步骤后,按住币值调整开关不放,2 秒后听到"啵"一声且 LED 显示"C"即可。

3 规格及使用说明

- 3.1 适用硬币直径: $\phi 18\text{mm}-\phi 29\text{mm}$ 。适用硬币厚度:1.2mm-3.2mm。工作电压:DC+12V $\pm 20\%$ 。工作温度: -20 $^{\circ}\text{C}$ -+50 $^{\circ}\text{C}$ 。
- 3.2 配合机台的规格,切换 N.O.(常开)、N.C.(常闭)开关;除游戏机中大玛莉机台有标明的特殊机台外,一般使用 N.O.(常开)较多。
- 3.3 配合机台接受投币信号速度的需要,切换快、中、慢三段开关(TIME SWITCH),25ms 接受投币信号的速度快(须快速大量投币的机台适用),45ms 接受投币信号速度中等(一般机台均可适用),65ms 接受投币信号速度慢(一次一枚不须频繁投币的娱乐性机台适用)。
- 3.4 硬币设定开关,识别器新使用时必须切换此键,设定所要使用的硬币。
- 3.5 硬币币值调整按钮开关,在硬币设定时调节所需使用的硬币币值。"00-99"表示所设定硬币之输出讯号次数,"P2-P9"表示所设定硬币需投入多少个才给一个信号。
- 3.6 硬币检测灵敏度开关。可选择投币时真假币的误差值大小。
- 3.7 在使用或设置前通电约 10 分钟,会得到更佳效果。
- 3.8 接线头的接线说明:



OPERATION MANUAL OF CPU RECOGNISES COIN ACCEPTOR

(MODEL: 315)

1 INTRODUCTION OF MAIN FUNCTION:

- 1.1 Using the intelligent multi-function CPU system, automatically identify the coin by material, thickness and diameter.
- 1.2 Can set up 3 different value groups at the same time, every value set can program 15 coins.
- 1.3 Can at any time adjust to throw the accurate degree of the currency machine, in keeping with different amenity demand.
- 1.4 The product includes software guard system, this guard system has alarm system, which prevents opportunistic behaviors.
- 1.5 Adjust the kinds of coins: RMB, Hong Kong dollar, Australian dollar, US dollar, Euro dollar, Canadian dollar, Pound, Tai dollar, etc.
- 1.6 Can connect the counter.
- 1.7 It can supply digital byte output and make modification in the output program according to the demand.

2 SETTING INSTRUCTION OF PRODUCT:

- 2.1 Turn the sensitive switch to stir to the "NOM" position ("MGN" position), then turn the setting switch to stir to the "SET" position. LED display "0". (display "P2").
- 2.2 Adjust the coin value in turn and let the LED display the value which you needed.
- 2.3 Deposit the coins in turn, the more you can programming are 15 coins. If less than 15 coins, can add and store later.
- 2.4 If need to set up the other value group's coin after set up, then re-programming step 2 and step 3. If need exit, set up the setting switch to the "START" position, then can use it.
- 2.5 When need to cancel all of the programmed coins, after finish step L LED display "00", then keep press the coin adjust switch, you will hear a "BI" sound and LED will display "C", this moment is ok.
- 2.6 If need to cancel one of the different value groups, finish step 1 and step 2, keep press the coin adjust switch, you will hear a "BI" sound and LED will display "C", this moment is ok.

3 STANDARDS AND OPERATION INSTRUCTION

- 3.1 Apply to coin's diameter: $\phi 18\text{mm} - \phi 29\text{mm}$. Apply to coin's thickness: 1.2mm-3.0mm. Work voltage: DC+12V $\pm 20\%$. Temperature: $-20^{\circ}\text{C} - +50^{\circ}\text{C}$.
- 3.2 Operate with the game machine's standard. Switch to the correct mode with N.O. (Normal Open) and N.C. (Normal Close). Usually use Normal Open.
- 3.3 Switch to the correct speed (pulse) of coin machine. FAST: 25ms (short pulse signal). MEDIUM: 45ms (medium pulse signal). SLOW: 65ms (long pulse signal by TIMER SWITCH for synchronizing with your machine).
- 3.4 When the coin acceptor is used, the coin setting switch needs to be set correctly according to the coin that was selected.
- 3.5 The switch which for adjusting the coin's value, can adjust the coin value when the coin programming. "00-99" means how many times of the output pulse signal will be sent when the programmed coin was deposited. "P2-P9" means a output pulse signal needs how many programmed coins to be deposited.
- 3.6 The switch for test the coin's sensitive degree, it detects the difference between real/fake coin, when inserted.
- 3.7 Please turn on power about 10 minutes before using or setting, you can get the optimal effect.
- 3.8 Connecting instructions of connector:

