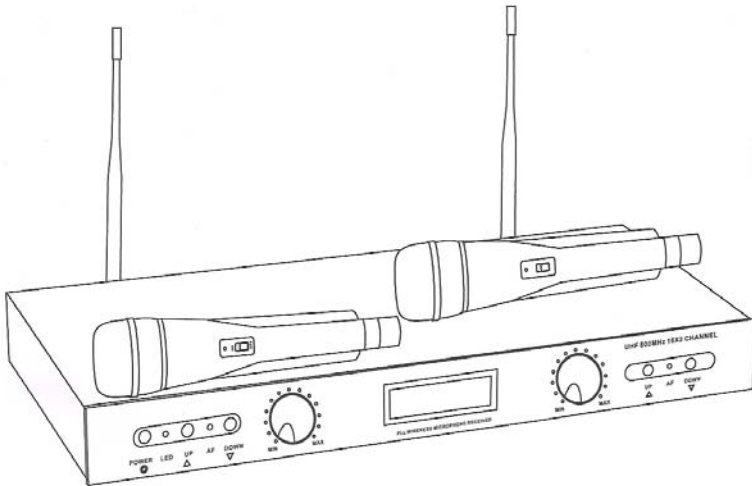


800MHz16x2 Channel Wireless Microphone System UHF MP-U1/2



USER GUIDE



Unify Technologies

PLL Synthesized Wireless Receiving System

Thank you for choosing our PLL synthesized wireless receiver. Please read the user guide carefully before you use.

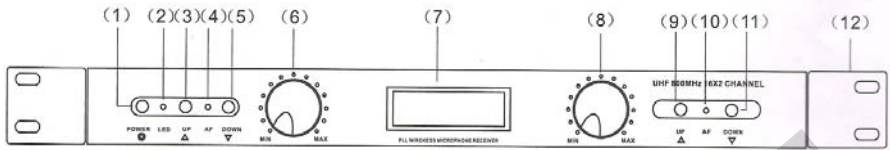
True diversity wireless receiver uses advanced true diversity receiving mode of PLL synthesized. Not only its receiving frequency is accurate, but also it can quickly change and choose frequency. This make the user choose frequency freely between various frequencies, avoiding interference. The advanced true diversity receiving system circuit has solved the problems of break off signal and instability. It has balanced and unbalanced output, which can match the input characteristics of each amplifier.

Package list:

- Audio cable x1
- 1.5V battery x 4
- External power x 1
- User guide x 1
- Antenna x 2
- Warranty card x 1
- Cabinet fixing tripod x 1

1. Name and Function of Each Part

A Front panel



(1). Power:

Turn on or turn off the machine. LED power indicator lamp will on after turn on the power.

(2). Power indicator lamp:

The lamp will on after turn on the power.

(3)& (9). Frequency increasing button:

The receiving frequency will add 1 each time you pressing the button and there are 16 preset frequencies for choosing.

(4)& (10). AF indicator lamp:

Level indicator lamp

(5)& (11). Frequency decreasing button:

The receiving frequency will decrease 1 each time you pressing the button and there are 16 preset frequencies for choosing.

(6)& (8). Volume knob:

adjust the volume

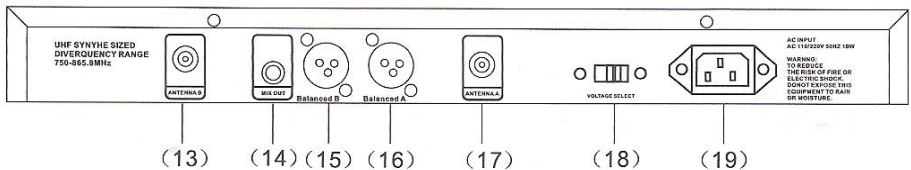
(7). LCD screen:

Display the present working channel and frequency

(12). Cabinet fixing tripod:

For fixing the receiver in the 19" standard cabinet.

B Back panel



(13)&(17). Antenna jack: For connecting the tuner antenna

(14). Unbalanced audio output jack:

Uses PHINE jack and offer unbalanced mix audio output.

(15)&(16). Balanced audio output jack:

Uses CANNON jack and offer balanced single audio output.

(18). Power voltage switch:

Operate the switch can make the machine match 110V or 220V AC.

(19). AC input jack:

Connect to AC network.

2. The Receiver Installing Instruction

1. Plug the two antennas into the antenna jack (13)&(17) on the back panel, and make sure the antenna is placed perpendicular to the machine.

2. Plug one end of the power into the AC input jack (19) on the back panel, connect the other end of the power with AC 220V.

3. Audio output connection:

◆ Unbalanced mix output: Plug one end of the cable into unbalanced mix output jack (14), and plug the other end of the cable into the AUX IN jack of mixer and amplifier.

◆ Balanced output: Plug one end of the cable with XLR or CANNON into the output jack (15)&(16), and plug the other end into the MIKEIN jack of mixer.

4. For better result, please place the receiver more than 1 meter away from the ground, the distance between transmitter and antenna must at least more than 1 meter and keep the equipments away from noise sources like active motor.

5. Use Cabinet fixing tripod can fix the receiver on the EIA standard cabinet.

3. Receiver Operation Method

1. Do not turn on the transmitter before turn on the receiver. Please turn the volume of receiver and amplifier to minimum, and then turn the power on. At the time of power on, the indicator lamp on front panel will on and this means it is under normal situation.

2. If the LCD screen has displayed RF before turn on the transmitter, it means the receiver has been interfered by other signals. The more

RF displayed, the more interference the receiver received. And if the receiver has noise output, the used frequency cannot work normally and you have to change the frequency.

3. Change frequency

(PLL SYNTHESIZED OSCILLATOR)

The product uses advanced PLL synthesized oscillator and preset 16 special frequencies for choosing. Users can change the frequency freely according to the following instruction.

(1) Which time should you change frequency?

- ◆ At the time when there is interference or problems during use.
- ◆ When use multi frequencies at the same time, you should choose the non-interfering frequencies.

(2) The way to change frequency: Press UP button or DOWN button on the front panel, choose the right frequency which you need displayed on the LCD.

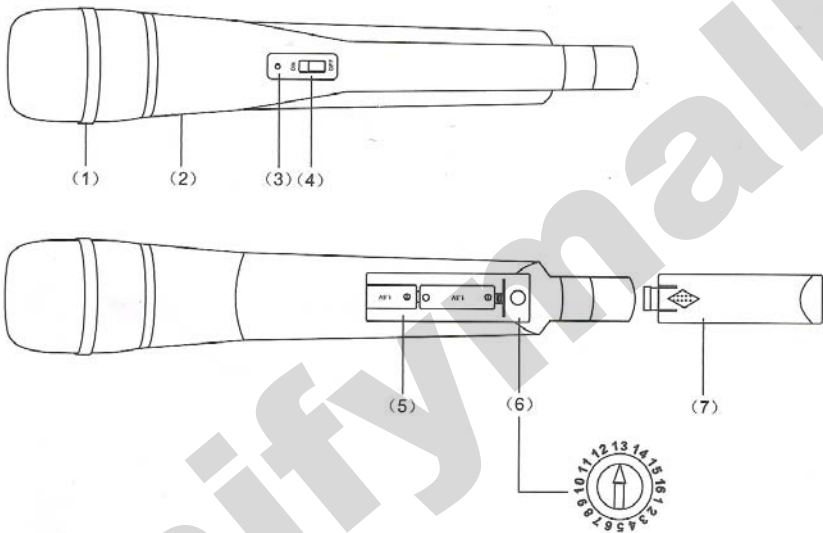
4. Notices

1. Please install the antenna correctly because it will greatly affect the receiving result of the receiver. And the installing principle is making the distance between antenna and receiver as short as you can.

2. Make sure to use the power more than 1A and the voltage not less than 12V when you use the power supply, or the machine cannot work normally. But make sure the voltage is not more than 15V, or it will damage the inner components.

Handheld Wireless Microphone

The microphone uses newly modular structure design, PLL synthesized transmitting circuit and presetting 16 switch able frequencies which can make users freely choose non-interfering frequencies to use.



1. Function of Each Part

(1) Mesh and condenser module:

The mesh is used to protect the audio module which convert the sound to audio signal and can eliminate POP wind noise.

(2) Body:

The top is equipped with mesh, the inner is equipped with transmitting circuit board and the bottom is equipped with battery.

(3) Battery indicator lamp:

It is used to show the battery. When you turn on the microphone, the lamp will flicker once and it means that the battery is under normal working situation. If the lamp does not flicker when you turn on the

microphone, you should check the battery to see if it is power off or it is not installed correctly. If the lamp is always on, it means than the battery is near power off and please change the battery. If the lamp is flickering continuously, it means that the remaining battery can not supply the normal work, and the transmitter will turn off automatically so please change the battery.

(4) **Power on and off button:**

To turn on or turn off the power of the microphone.

(5) **The inner battery carrier:**

It is used to install battery

(6) **Switch for changing frequency:**

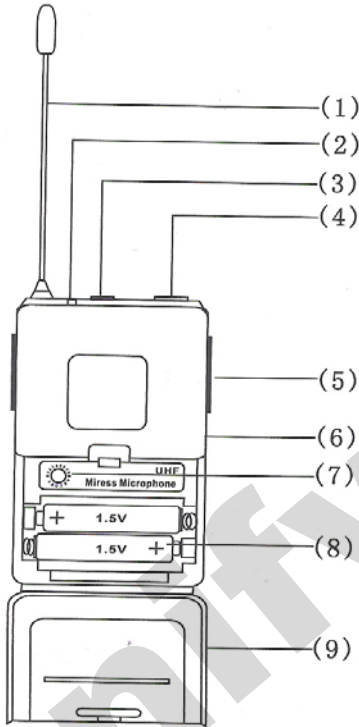
It is used to choose transmitting frequency, and there are 16 presetting frequencies for choosing.

(7) **Battery cover:**

Pull the battery cover backwards according to the map.

Body-pack Microphone

1. Name and functions of each part



(1). **Transmitting antenna:**

It is used to convert your voice to signal and transmit the signal.

(2). **Battery indicator lamp:**

It is used to show the battery. When you turn on the microphone, the lamp will flicker once and it means that the battery is under normal working situation. If the lamp does not flicker when you turn on the microphone, you should check the battery to see if it is power off or it is not installed correctly. If the lamp is always on, it means than the battery is near power off and please change the battery.

(3). **Power switch:**

When the switch is at ON place, you can use the microphone. And keep the switch at OFF place will turn off the power.

(4). **Audio input switch jack:**

It is used to connect the microphone.

(5). **Body splint:**

It is used to fix the body-pack microphone on your body.

(6). **Body:**

It is used to install PCB and other components.

(7). **Knob for changing frequency:**

It is used to choose transmitting frequency, and there are 16 presetting frequencies for choosing.

(8). **Battery:**

Please use two 1.5V alkaline batteries. And for the better result, please do not use battery of poor quality.

(9). **Battery cover:**

It is used to install two 1.5V batteries.

2. Operation Method

1. Pull the key face to you.

2. Install two 1.5V batteries correctly in the battery box and then cover it with battery cover.

3. Please check whether the frequency of knob for changing frequency is the same with the frequency displayed on the LCD of the receiver before you turn on the power. And if the two frequencies are different, please adjust the knob to make them the same.

4. Make the power button on the microphone under normal situation. If the lamp does not flicker, it means the battery is power off or it is installed incorrectly. If the lamp is on all the time, it means that the battery is power off and please change the battery.

5. Plug the connector of the condenser according to the right way of the connecting blocks and then you can use the microphone.

unitymail



Copyright © 2004 - 2012 Unify Technologies All Rights Reserved